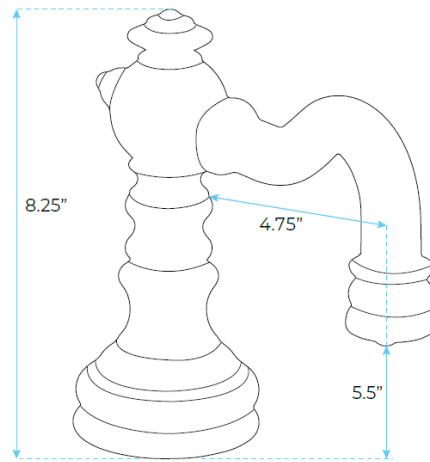


## DIJON BRUSHED GOLD COMMERCIAL AUTOMATIC SENSOR FAUCET SPECS



### Specs:

- Spout: Solid Brass
- Power: 4 (AA) Batteries / AC Adapter Optional
- Battery life expectancy: 300,000 cycles
- Solenoid valve: 6 Volt magnet latching
- Working Water Pressure: 1 PSI - 100 PSI
- Supply Inlet Size: 1/2" NPT Male
- Water Temperature Control: Optional
- Pop-Up Drain Rod: Optional
- Sensor type and Location: Active Infrared,
- Base mount
- Sensor Microprocessor: Digital, Plug And Play
- Sensing Range: 2" to 8" Adjustable
- Response Time: 0.3 Second
- Shut-Off Delay Time: 2 Seconds
- Maximum Running Time: 60 Seconds
- Particle filter size: 50 Micron
- Aerator: 1.5 GPM Standard, Options Available

